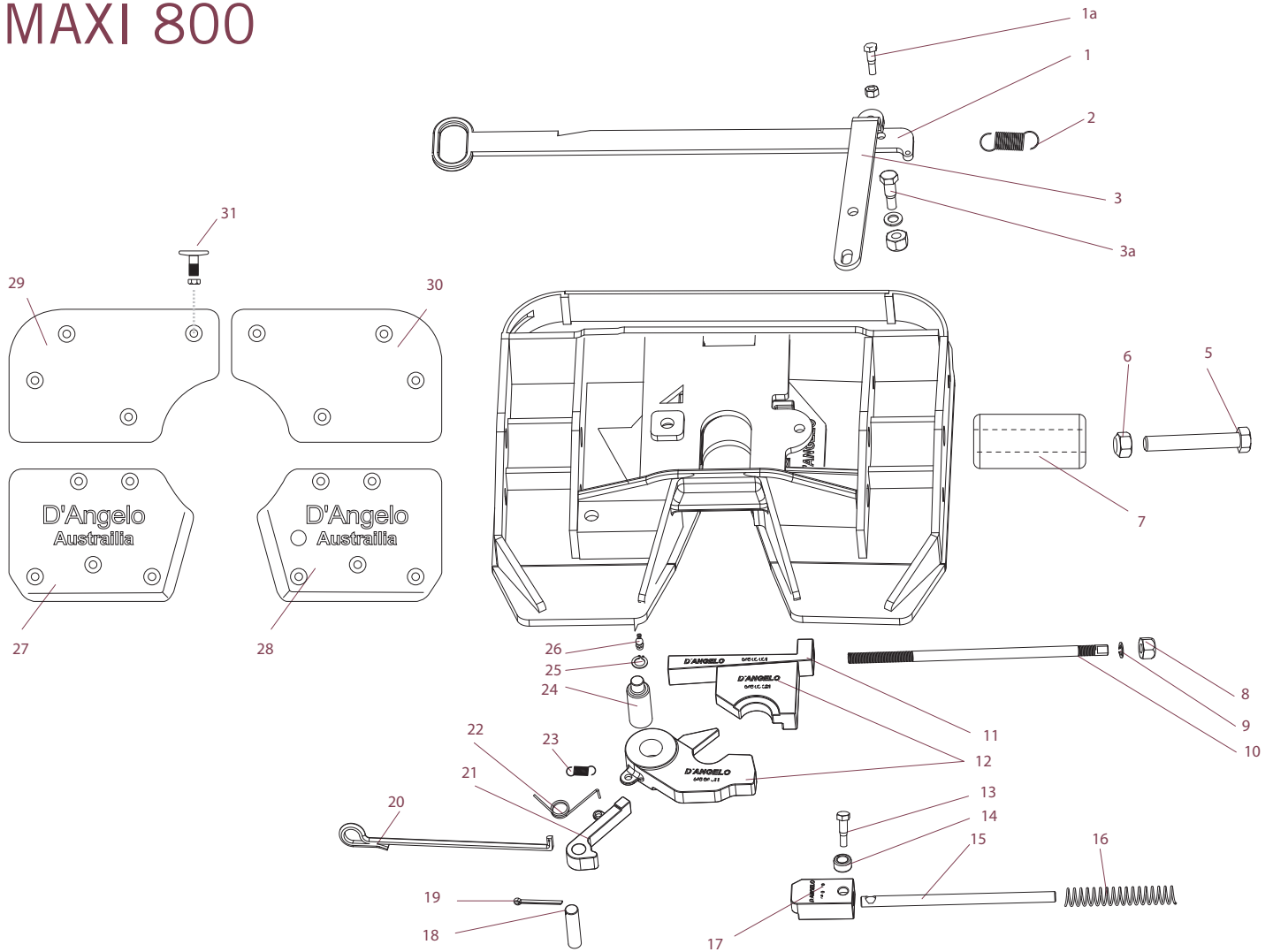


MAXI 800



No.	Description	Kit*	Part No.
1	Release handle	}	
1a	Release handle bolt and nut		
2	Release handle spring		
3	Lever	}	
3a	Lever bolt and nut		
5	Pivot bolt		
6	Pivot bolt nut		
7	Pivot bush (sold as pair)		
8	Adjuster rod nut	}	
9	Adjuster rod pin		
10	Adjuster rod		
11	Adjustment wedge		
12	Jaw Kit (75/90mm)		
13	Lock bar bolt		
14	Lock bar bush		
15	Lock bar rod		

***Repair Kits**

Part No.

- a Basic Repair Kit
- b Medium Repair Kit
- c Major Repair Kit
- d Safety Kit

No.	Description	Kit*	Part No.
16	Lock bar spring		
17	Lock bar		
18	Safety pin		
19	Safety pin split pin		
20	Safety release handle		
21	Safety		
22	Safety spring		
23	Jaw spring		
24	Jaw pin		
25	Jaw pin circlip		
26	Jaw pin grease nipple		
27	Greaseless Pad (front left)		
28	Greaseless Pad (front right)		
29	Greaseless Pad (rear left)		
30	Greaseless pad (rear right)		
31	Greaseless pad bolt kit (pack of 18)		

***Repair Kits**

Part No.

- e Locking bar kit
- f Foot bushes
- g Foot bush and pin kit
- h Foot pin kit

Note: Certain parameters may be subject to change. D'Angelo Engineering Pty. Ltd. reserves the right to makes changes as required.