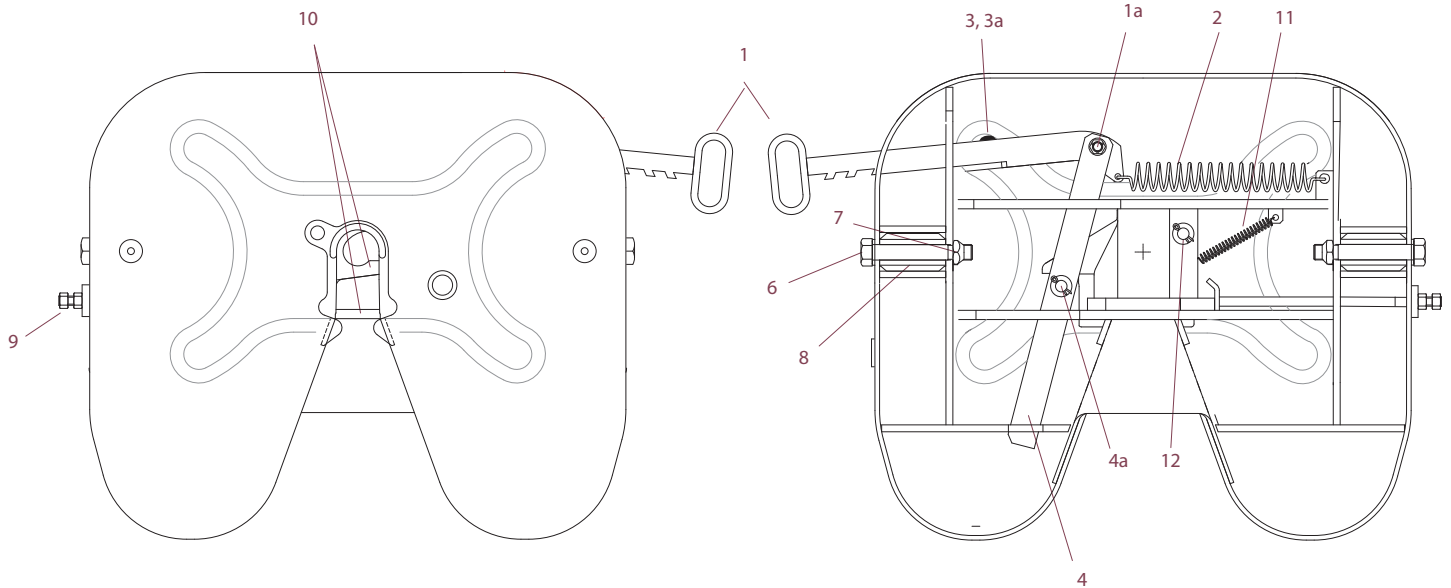


500 Series



No.	Description	Kit*	Part No.
1	Release handle		
1a	Release handle bolt and nut		
2	Release handle spring		
3	Release handle plunger		
3a	Release handle plunger spring		
4	Lever		
5	Lever pin, washer and split pin		
6	Pivot bolt		
7	Pivot bolt nut		
8	Pivot bush (sold as pair)		
9	Adjuster rod assembly		
10	Jaw kit		
11	Jaw spring		
12	Jaw pin, washer and split pin		

No.	Description	Kit*	Part No.

*Repair Kits	Part No.

*Repair Kits	Part No.

Note: Certain parameters may be subject to change. D'Angelo Engineering Pty. Ltd. reserves the right to makes changes as required.